

# A15DX

# Pneumatic Vacuum

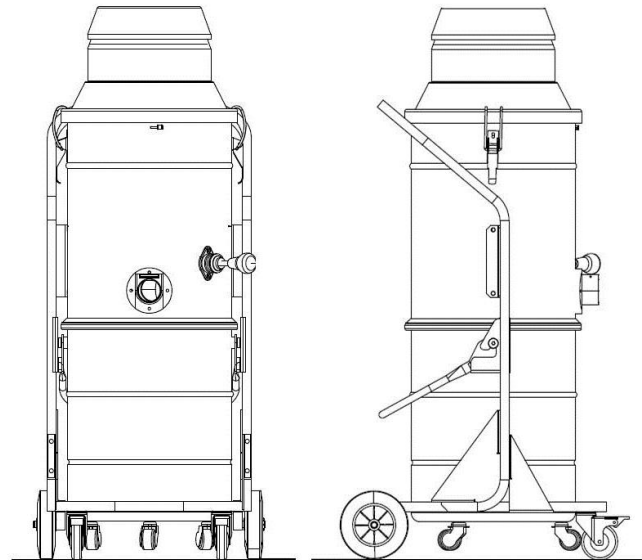
Addenda to C70-I-GB-F-D (09-2013) and L37-I-GB-F-D-E (08-2012)  
Model Number: 4061300035

This is a special North American model of the A15 pneumatic vacuum not listed in the A15 manuals. General warnings and notices, instructions for operation and replacement parts are the same, except as noted in this document.

**NOTICE:** The A15DX has been designed and constructed to comply with NFPA 654 (2013) and 664 (2012) guidelines for the proper collection of combustible dust in non-hazardous (non-classified) environments.

**This machine must be operated with (at least) antistatic hose and tools when used to collect Group F and G combustible dust.**

The purchaser and intended user of this Nilfisk EXP vacuum acknowledge that their Authority Having Jurisdiction (AHJ) as defined in Article 100 of the National Electric Code (NEC – NFPA 70) has determined this specific type of vacuum equipment is suitable for use in the intended applications and hazloc rated environments. Nilfisk-Advance, the product manufacturer, is not an AHJ and cannot approve any particular EXP vacuum product for any specific application or use. It is the purchaser's and the intended user's responsibility to ensure that the vacuum is used properly as described in the instruction manual and in accordance with the AHJ's approval. By issuing a purchase order, the purchaser and intended user acknowledge understanding the role of their AHJ along with the capabilities and limitations of the vacuum equipment. If you require assistance in identifying your AHJ, please contact your local Nilfisk District Manager for assistance.



With Parts Catalog L37 available for reference, use the following table to identify the correct repair or maintenance parts for the A15DX.

L37 REFERENCE PAGE	Instead of	Use Part Number	Description	Qty
TAV. 1-RO Chassis Assembly	40000449 / 40000450	4083600825	Chassis for L45 Bin RAL9005	1
TAV. 1-RO Chassis Assembly	-	40000446	Antistatic swivel caster kit	1
TAV. 2-RO Container Assembly	-	40000321	Over center clamp kit	1
TAV. 2-RO Container Assembly	8-30250 / 8-20302	4083000762	45L SS Bin, Complete	1
TAV. 2-RO Container Assembly	4000393 / 4000394	8-32314	SS 50mm Deflector	1
TAV. 2-RO Container Assembly	NA	8-32332	Niploy 50mm Inlet Assembly	1
TAV. 2-RO Container Assembly	NA	8-17005	50mm Inlet Seal	1
TAV. 3-RO Venturi Unit	8-53A15	4085300386	A15DX Motor Head Assembly	1
TAV. 3-RO Venturi Unit	8-12381 / 8-12384	4081200568	Galvanized Venturi Cover	1
TAV. 4-RO Filter Group	8-15002	4081500257	Conductive Filter Ring	1
TAV. 4-RO Filter Group	-	40000460	Antistatic Star Filter	1
TAV. 5-RO Absolute Filter	40000461 / 40000462	8-33323G	Upstream HEPA Plate	1
TAV. 5-RO Absolute Filter	-	8-60103	HEPA With Mounting Hardware	1
ITEMS NOT SHOWN IN L37	Part Number	Description		Qty
Bonding Spring	8-14079	Mounts Under Venturi Cover		1
Bonding Spring Clip	01702430	Secures Spring to Venturi Cover		1
Bonding P-Clip	8-391177	Bonds Bin Handle to Trolley		2

Recommended Optional / Spare Parts			
40000460	Antistatic Star filter	82219800	Cord Hanger
8-17262	Replacement HEPA Cartridge	01760493	38mm AS Hose Kit w/ access. (50mm inlet x 3M)
4089100754	Polyliner Adapter Kit 304SS	01760494	38mm AS Hose Kit w/ access. (50mm inlet x 5M)
01723502	Conductive Polyliner	8-24164	Carbon Impregnated 1/2" Air Line (per meter)

